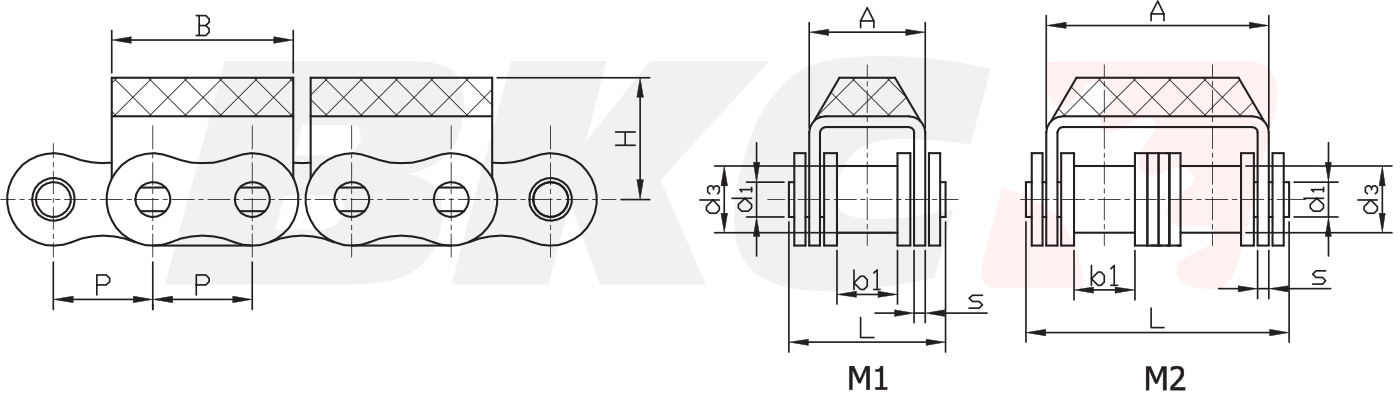


KAUÇUK VE PLASTİK KAPLAMALI ZİNCİRLER

ROLLER CHAINS WITH VULCANISED ELASTOMER PROFILES



ISO Nr. ISO No.	p mm	d ₃ mm max.	b ₁ mm min.	d ₁ mm max.	L mm max.	A mm	B mm	H mm	s mm min.	q kg/m
08 B-M1	12,70	8,51	7,75	4,45	20,00	14,60	24,20	12,30	1,50	1,19
08 B-M2	12,70	8,51	7,75	4,45	34,30	28,40	24,20	12,30	1,50	2,07
10 B-M1	15,88	10,16	9,65	5,08	23,20	16,80	30,00	17,00	1,50	1,62
10 B-M2	15,88	10,16	9,65	5,08	39,70	33,30	30,00	17,00	1,50	2,56
12 B-M1	19,05	12,07	11,68	5,72	25,70	19,60	36,00	17,00	1,85	2,01
12 B-M2	19,05	12,07	11,68	5,72	45,30	39,10	36,00	17,00	1,85	3,21
16 B-M1	25,40	15,88	17,02	8,28	42,50	29,10	49,00	21,40	3,00	3,83
20 B-M1	31,75	19,05	19,56	10,19	48,00	36,00	57,00	27,00	3,50	6,19
24 B-M1	38,10	25,40	25,40	14,63	61,60	47,00	72,60	34,00	4,50	11,25

Numune ve teknik resim esaslı her türlü özel zincir üretimi yapılır. *Production based on a given sample or a technical drawing.*